

theben

EM 4 top2
4-channel extension module
for TR top2 RC

6490104



Designated use

The EM top2 module upgrades the 365-day time switch TR 641 top2, TR642 top2 and TR 644 top2 to 4 channels (C5-C8). The module is linked to the 365-day time switch via a DATA interface. Corresponds to type 1 B in accordance with IEC/EN 60730-1.

Safety advice

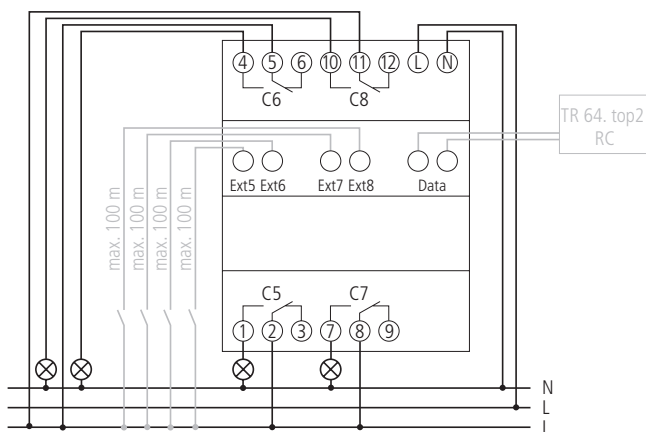


WARNING

Danger of death through electric shock or fire!

- Installation should only be carried out by a qualified electrician!

Connect EM 4 top2



The supply of L and N is the same as with the TR 64x top2 (RC) basic device.

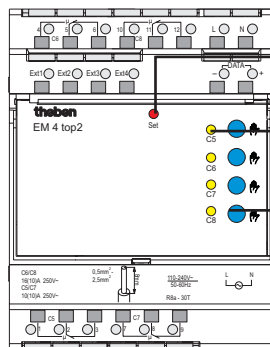
Install EM 4 top2

- The EM top2 module is designed for installation on DIN top hat rails (in accordance with EN 60715).
- Strong interference fields can have an effect on the clock.



- Do not install module near inductive consumers.
- Lay separate cable for power supply.
- Shield inductive consumer.

Description



- red LED set flashes: a 365-day time switch TR top2 sends requests "Assign module EM 4" (teach-in)
- yellow LEDs light up: Channels C5-C8 are on
- 4 blue manual keys

EM 4 top2 "teach-in"

- In the 365-day time switch in the menu **OPTIONS** under **EXTENSION MODULE EM4** select **ASSIGN MODULE EM4**.

The LED set flashes on EM 4 top2.

- Assign EM 4 top2 with the C5 key. The LED Set goes out.

EM 4 top2 "teach-out"

- Press all 4 EM 4 top2 manual keys longer than 2 sec. The LED flashes quickly, the EM 4 module is taught-out (no timer is assigned); EM 4 top2 can now be assigned by a new 365-day time switch.

Manual control

- Quickly press channel keys C5-C8.

Permanent switching

- Press channel keys C5-C8 longer. (>2 sec).

Technical data

- Operating voltage: 110–240 V~, +10 %/-15 %
- Frequency: 50-60 Hz
- Power consumption: typically 7,5 VA
- Standby: typ. 2.8 W
- DATA bus: Bus voltage: 18 V DC
- Switching capacity: 16 (10) A (C6+C8), 10 (10) A (C5+C7)
- Permissible ambient temperature: typical -30 °C... +45 °C, temporary +55 °C
- Protection class: II in accordance with EN 60730-1 for designated installation
- Protection rating: IP 20 in accordance with EN 60529
- Pollution degree: 2
- Rated impulse withstand voltage: 4 kV
- Power supply on the DATA bus: 100 mA (maximum current on the DATA bus: 500 mA)

Service address

Theben AG
Hohenbergstr. 32
72401 Haigerloch
GERMANY
Telephone +49 7474 692 0
Fax +49 7474 692-150

Hotline

Telephone +49 7474 692-369
Fax +49 7474 692-207
hotline@theben.de
Addresses, telephone numbers etc.
www.theben.de